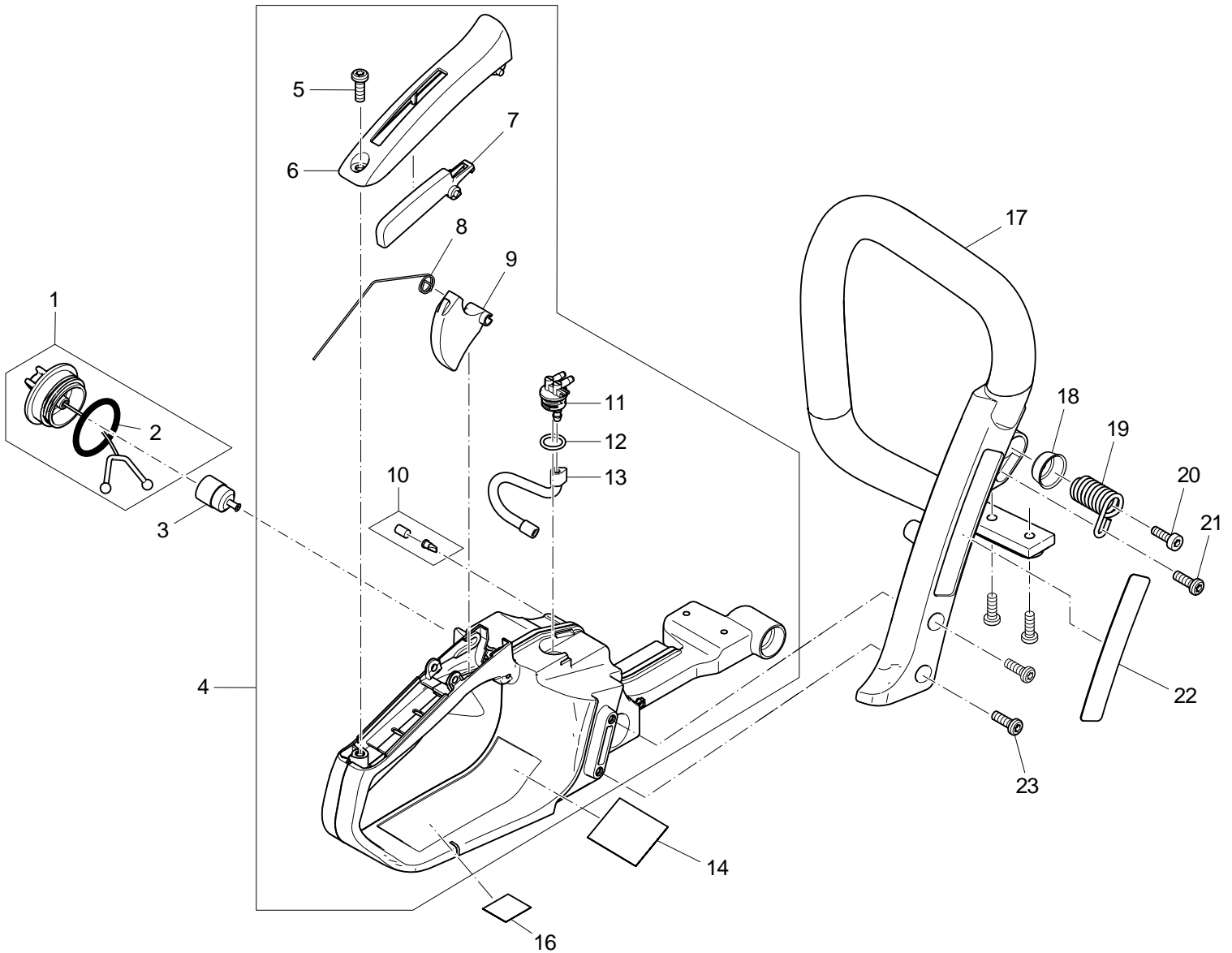
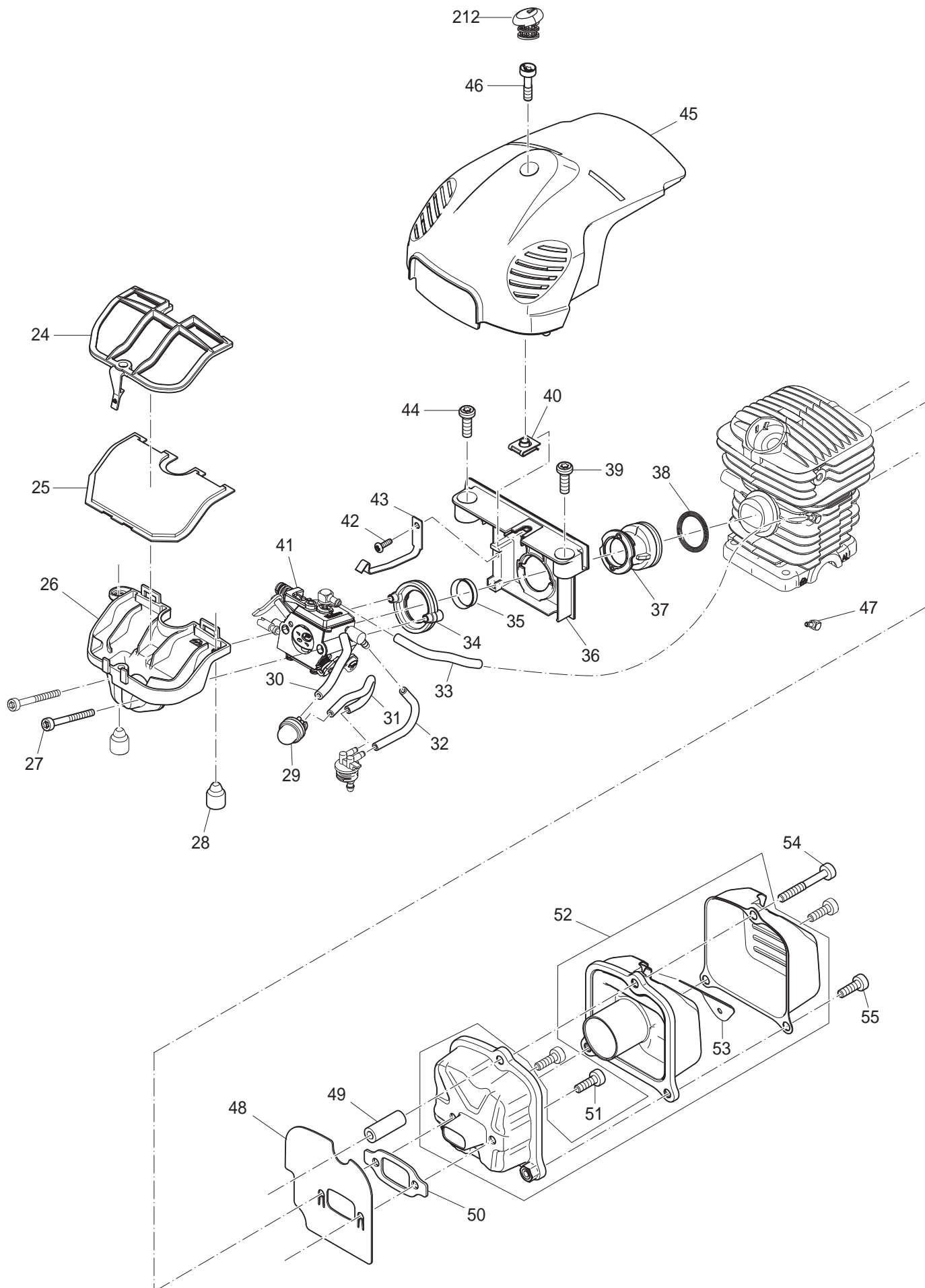


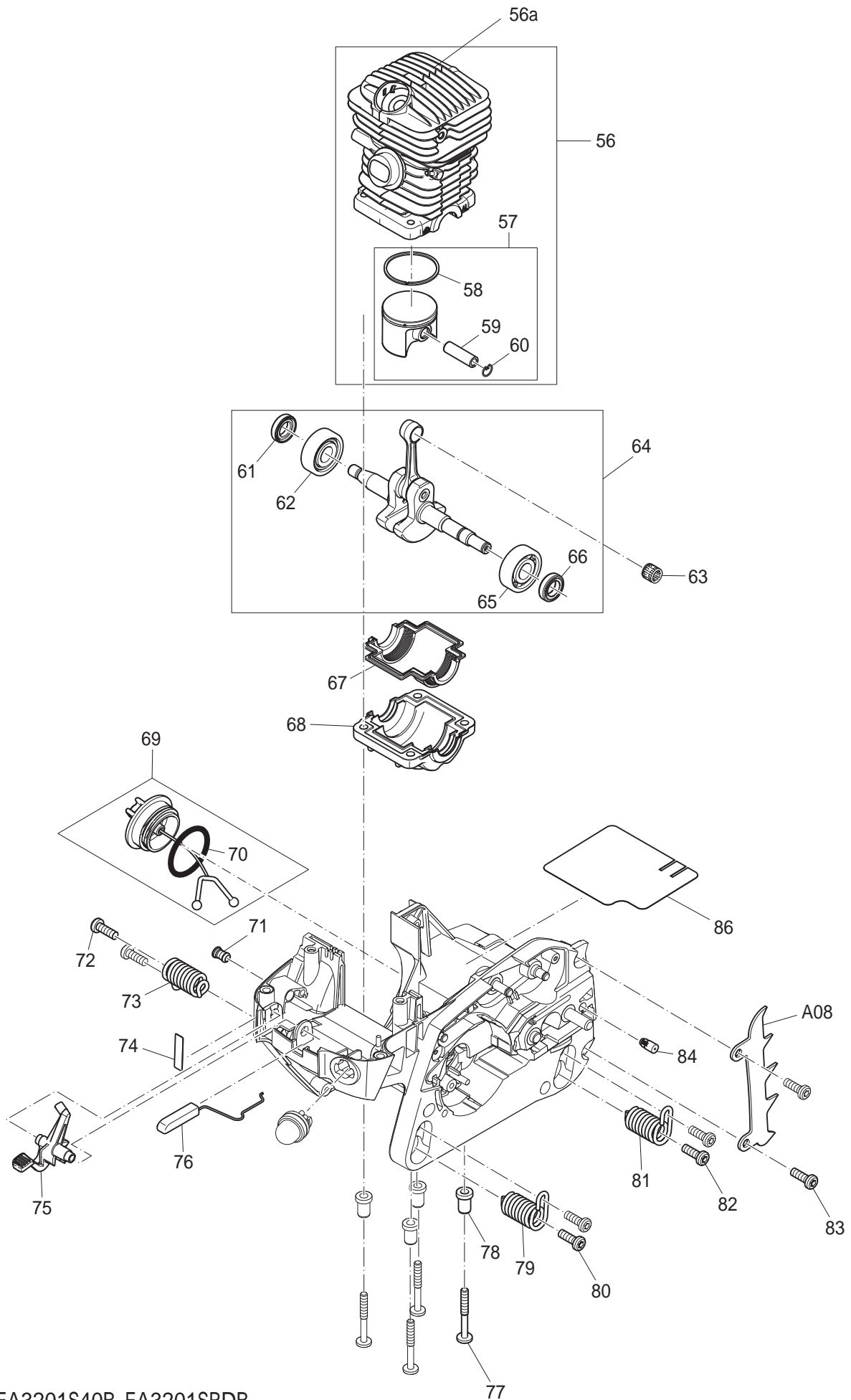


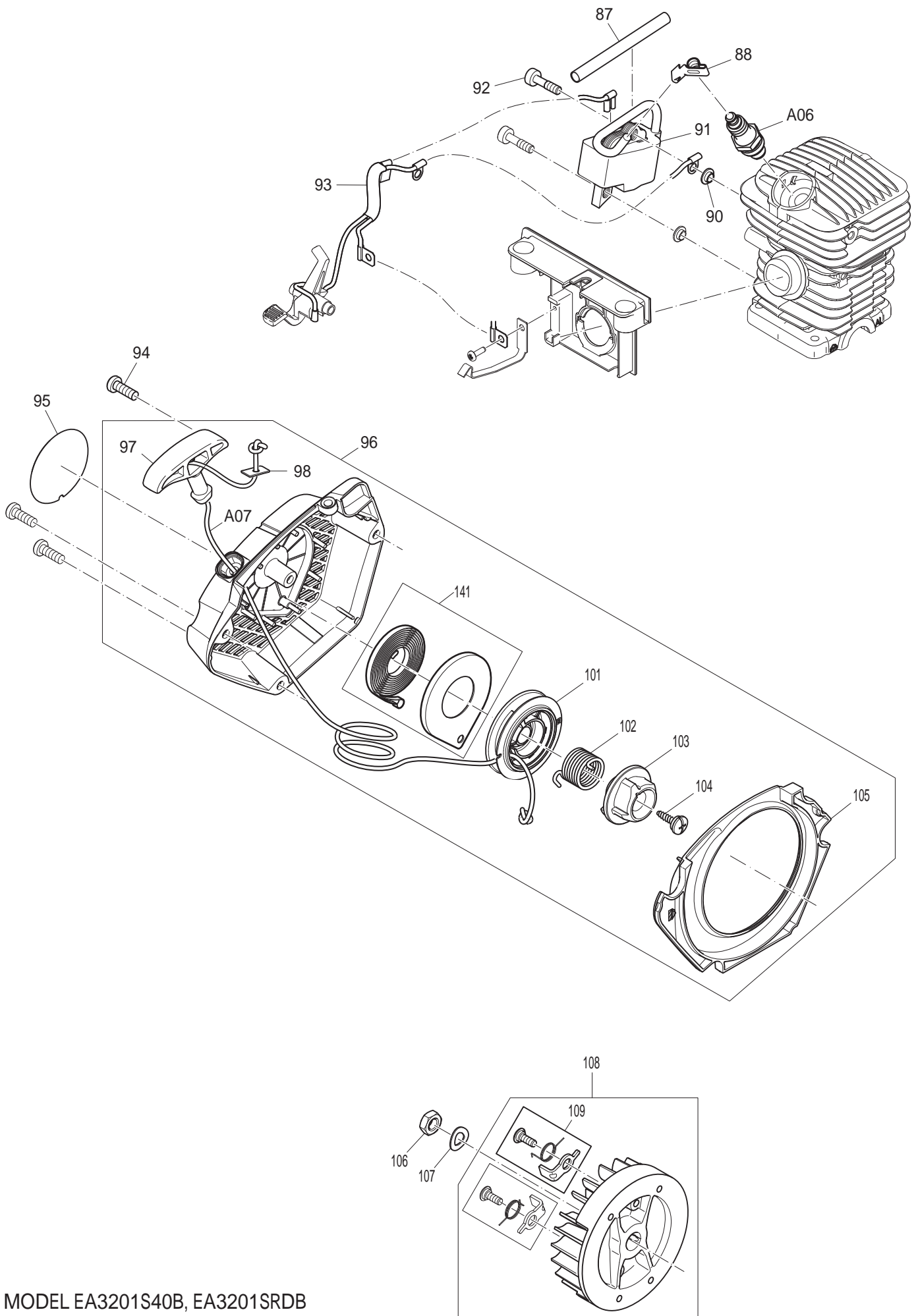
10 - 2016
EA3201S40B
32cc 2 Stroke Chainsaw 16" Bar, 3/8" 50G, Blue
EA3201SRDB
32cc 2 Stroke Chainsaw 16" Bar, 3/8" 50G, Orange

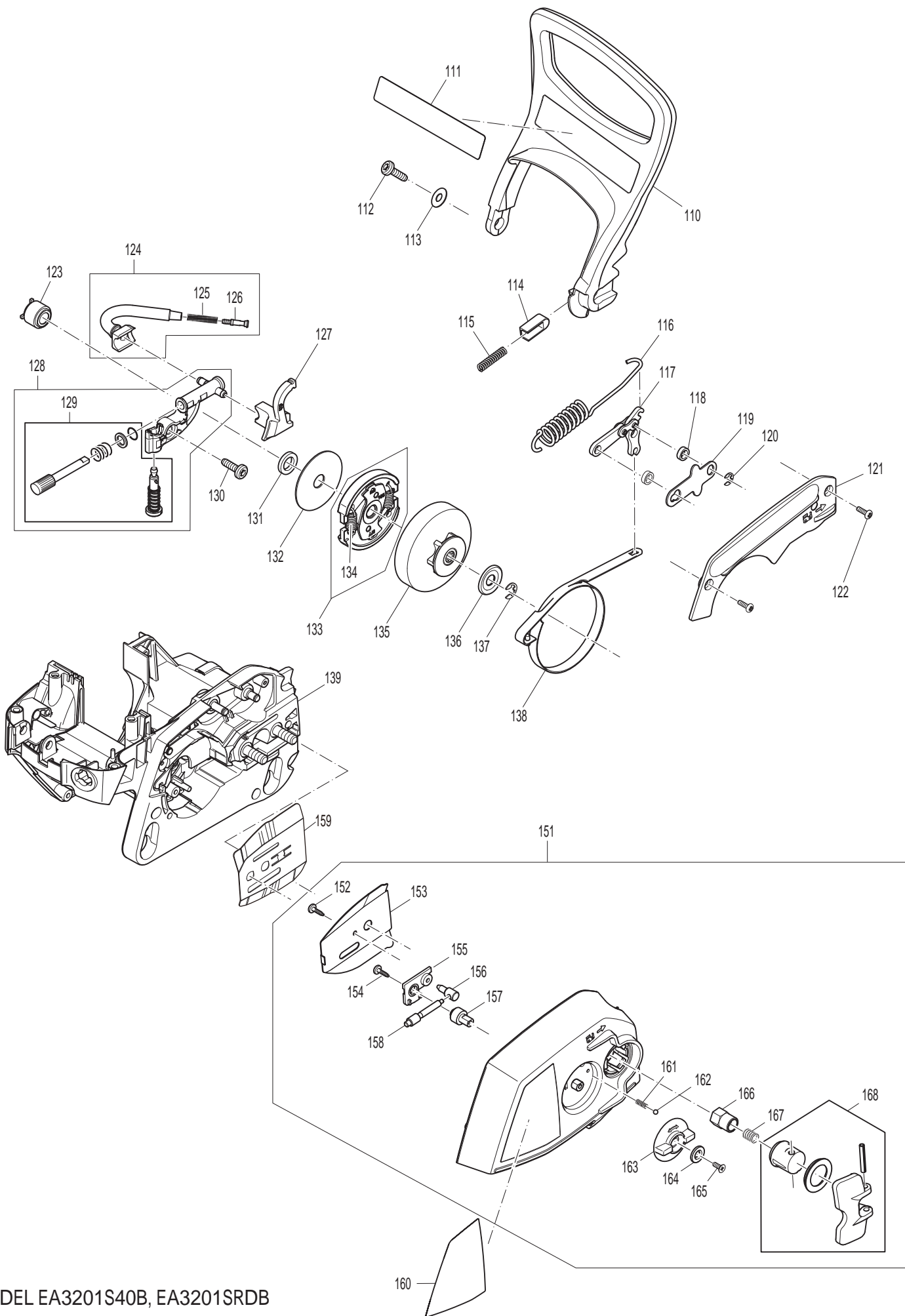




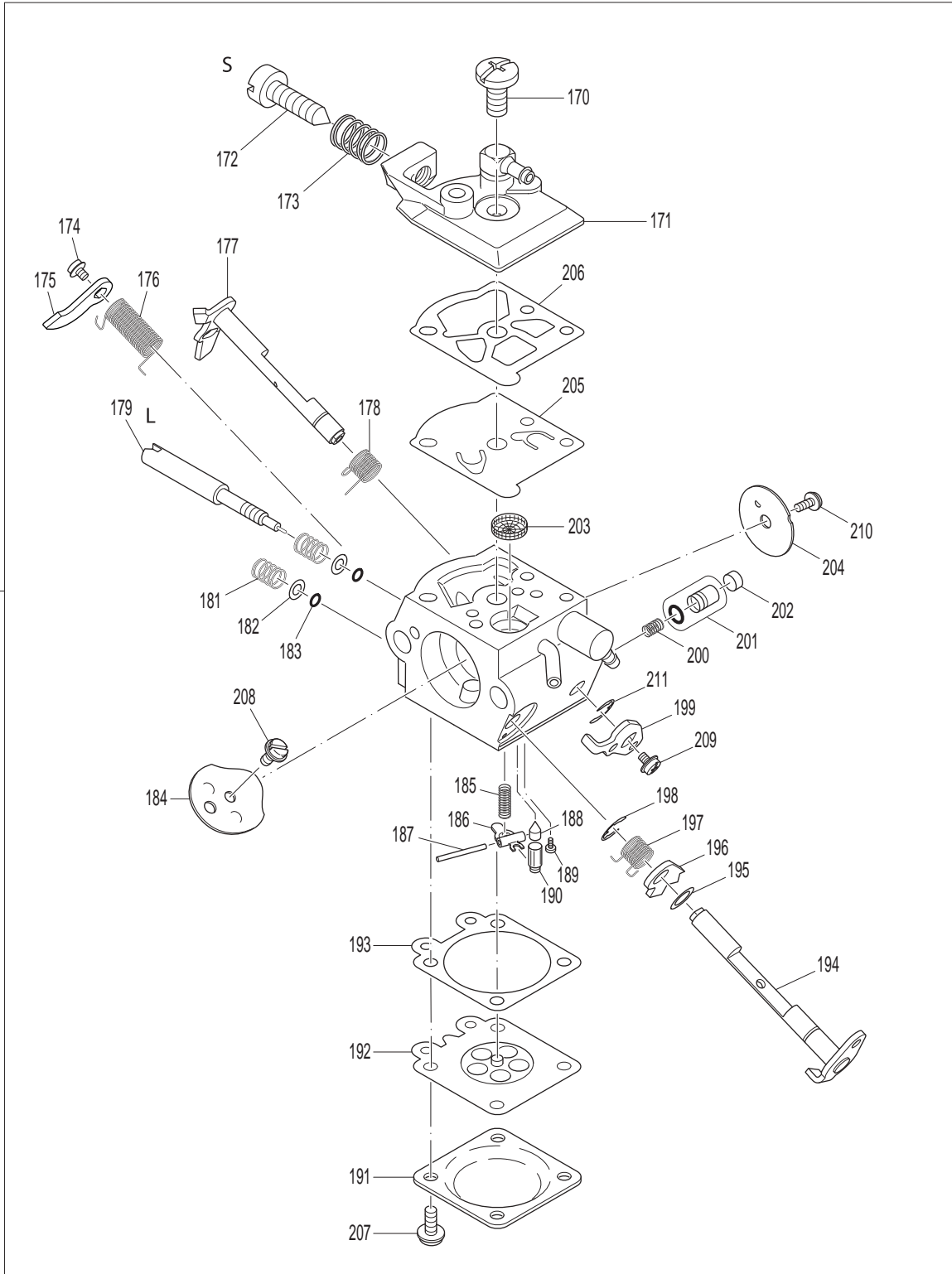
2 MODEL EA3201S40B, EA3201SRDB







41



Item No.	Type	Sub	Part No.	Description	Qty	Unit
1	2		168823-3	TANK CAP COMPLETE	1	PC.
		INC.		Item No. 2		
2			213080-9	O RING 29.5	1	PC.
3	2		163447-0	FUEL FILTER	1	PC.
4			195758-5	TANK ASSEMBLY A BLUE	1	PC.
		INC.		Item No. 5-13		
4B			195757-7	TANK ASSEMBLY A ORANGE	1	PC.
		INC.		Item No. 5-13		
5			266651-1	TORX TAPPING SCREW 5.5X16	1	PC.
6			452021-2	GRIP SHELL	1	PC.
7			452020-4	CATCH LEVER	1	PC.
8			231866-9	TORSION SPRING 10	1	PC.
9			452019-9	THROTTLE LEVER	1	PC.
10			195762-4	AIR VALVE SET	1	PC.
11			452018-1	FUEL NIPPLE	1	PC.
12			213586-7	O RING 11.5	1	PC.
13			424456-7	FUEL LINE	1	PC.
14			869091-8	EA3201S NAME PLATE	1	PC.
16			892505-2	CAUTION LABEL	1	PC.
17			452036-9	TUBULAR HANDLE	1	PC.
18			346517-2	CUP WASHER 6	1	PC.
19			234189-4	COMPRESSION SPRING 12	1	PC.
20			266605-8	TORX SOCKET HEAD BOLT M5X16	1	PC.
21			266651-1	TORX TAPPING SCREW 5.5X16	1	PC.
22			891898-4	MAKITA LOGO LABEL	1	PC.
23			266651-1	TORX TAPPING SCREW 5.5X16	4	PC.
24			452031-9	AIR FILTER COVER	1	PC.
25			423414-0	AIR FILTER	1	PC.
26			452030-1	INTAKE MANIFOLD	1	PC.
27			266604-0	TORX SOCKET HEAD BOLT M4X40	2	PC.
28			424173-9	DAMPING PLUG	2	PC.
29			168398-2	PRIMER PUMP	1	PC.
30			422067-2	TUBE 2.5-55	1	PC.
31			422065-6	TUBE 2.5-112	1	PC.
32			422068-0	TUBE 3-70	1	PC.
33			422066-4	TUBE 2.5-72	1	PC.
34			318634-8	FLANGE RING	1	PC.
35			346413-4	BUSH 17	1	PC.
36			452024-6	INTERMEDIATE FLANGE	1	PC.
37			424340-6	INTAKE HOSE	1	PC.
38			233971-8	RING SPRING	1	PC.
39			266651-1	TORX TAPPING SCREW 5.5X16	1	PC.
40			264044-6	SNAP NUT M5	1	PC.
41	1		168779-0	* CARBURETOR	1	PC.
		INC.		* Item No. 170-179, 181-211		
	2		168849-5	* Carburetor	1	PC.
		INC.		* Item No. 170,171,174-179,184-189,191-210,213-217		
42			266421-8	TAPPING SCREW 3X10	1	PC.
43			346290-4	CONTACT SPRING	1	PC.
44			266651-1	TORX TAPPING SCREW 5.5X16	1	PC.
45			452023-8	HOOD	1	PC.
46			266607-4	TORX SOCKET HEAD BOLT M5X20	1	PC.
47			325938-1	ANGULAR NIPPLE	1	PC.
48			346306-5	COOLING PLATE	1	PC.
49			325939-9	CONNECTING LINK	1	PC.
50			346304-9	GASKET	1	PC.
51			266605-8	TORX SOCKET HEAD BOLT M5X16	2	PC.
52			168604-5	MUFFLER COMPLETE	1	PC.

Item No.	Type	Sub	Part No.	Description	Qty	Unit
		INC.		Item No. 53		PC.
53			346294-6	SPARK ARRESTER SCREEN	1	PC.
54			266606-6	TORX SOCKET HEAD BOLT M5X40	1	PC.
55			266605-8	TORX SOCKET HEAD BOLT M5X16	2	PC.
56	1		195759-3	* CYLINDER PISTON SET	1	PC.
		INC.		* Item No. 56a-1, 57		PC.
	2		196384-3	* CYLINDER PISTON SET	1	PC.
		INC.		* Item No. 56a-2, 57		PC.
56a	1	INC.	-----	* CYLINDER 38	1	PC.
	2	INC.	142136-0	* CYLINDER COMPLETE	1	PC.
		INC.		* Item No. 47		
57			195760-8	* PISTON SET	1	PC.
		INC.		* Item No. 58-60		PC.
58			325991-7	PISTON RING 38	1	PC.
59			325992-5	PISTON PIN 8	1	PC.
60			233988-1	RING SPRING 8	1	PC.
61	1		213582-5	* OIL SEAL 12	1	PC.
	2		213084-1	* OIL SEAL 12	1	PC.
62			211341-1	BALL BEARING 6201	1	PC.
63			212086-4	NEEDLE CAGE 810	1	PC.
64	1		195956-1	* CRANK SHAFT SET	1	PC.
		INC.		* Item No. 61,62,65,66		
	2		197539-3	* CRANK SHAFT SET	1	PC.
		INC.		* Item No. 61,62,65,66		
65			211341-1	BALL BEARING 6201	1	PC.
66	1		213582-5	* OIL SEAL 12	1	PC.
	2		213084-1	* OIL SEAL 12	1	PC.
67			424339-1	CRANK CASE SEALING	1	PC.
68			318633-0	CRANKCASE UNDERSIDE	1	PC.
69	2		168823-3	TANK CAP COMPLETE	1	PC.
		INC.		Item No. 70		
70			213080-9	O RING 29.5	1	PC.
71	1		452629-2	PLUG	1	PC.
	2		452727-2	* PLUG - N/L/A	1	PC.
72			266651-1	TORX TAPPING SCREW 5.5X16	2	PC.
73			234189-4	COMPRESSION SPRING 12	1	PC.
74			816917-5	INDICATION LABEL	1	PC.
75			452025-4	CHOKE LEVER	1	PC.
76			452022-0	THROTTLE LINKAGE	1	PC.
77			266608-2	TORX TAPPING SCREW 5X40	4	PC.
78			325946-2	BUSH 6	4	PC.
79			234189-4	COMPRESSION SPRING 12	1	PC.
80			266651-1	TORX TAPPING SCREW 5.5X16	2	PC.
81			234189-4	COMPRESSION SPRING 12	1	PC.
82			266651-1	TORX TAPPING SCREW 5.5X16	2	PC.
83			266651-1	TORX TAPPING SCREW 5.5X16	2	PC.
84			168504-9	VENT VALVE	1	PC.
86			346385-3	HEAT PROTECTION FOIL	1	PC.
87	1		444029-0	* ISOLATING TUBE 6-95	1	PC.
	2		444042-8	* ISOLATING TUBE 6-80	1	PC.
88	1		346445-1	* SPARK PLUG CONNECTOR	1	PC.
	2		424522-0	* PLUG CAP	1	PC.
90			452670-5	ISOLATING WASHER	2	PC.
91	1		125808-2	* IGNITION COIL ASSEMBLY	1	PC.
		INC.		* Item No. 87,88		PC.
	2		126270-4	* IGNITION COIL ASSEMBLY	1	PC.
		INC.	326210-4	* TERMINAL SPRING	1	PC.
		INC.		* Item No. 87,88		PC.

Item No.	Type	Sub	Part No.	Description	Qty	Unit
92			266631-7	TORX SOCKET HEAD BOLT M5X20	2	PC.
93			168601-1	CABLE HARNESS	1	PC.
94			266651-1	TORX TAPPING SCREW 5.5X16	3	PC.
95			891901-1	MODEL NO. LABEL F/EA3201S40B	1	PC.
95B			808L85-0	MODEL NO. LABEL F/EA3201SRDB	1	PC.
96	1		168608-7	* STARTER COMPLETE BLUE	1	PC.
		INC.		* Item No. 97-98,101-105,141, A07		
	2		161328-2	* STARTER COMPLETE BLUE	1	PC.
		INC.		* Item No. 97-98,101-105,141, A07		
96B			161327-4	STARTER COMPLETE ORANGE	1	
		INC.		Item No. 97-98,101-105,141, A07		
97			453783-5	STARTER GRIP	1	PC.
98			267847-7	SQUARE WASHER 4	1	PC.
101	1		453785-1	* REEL	1	PC.
	2		455919-2	* REEL	1	PC.
102			234253-1	TORSION SPRING 20	1	PC.
103			453786-9	CAM PLATE	1	PC.
104			266777-9	TAPPING SCREW 5X12	1	PC.
105			452026-2	AIR GUIDE PLATE	1	PC.
106			264053-5	HEX. NUT M8X1	1	PC.
107			267822-3	SPRING WASHER 8	1	PC.
108			140480-9	FLYWHEEL COMPLETE	1	PC.
		INC.		Item No. 109		PC.
109			195761-6	RATCHET SET	2	PC.
110			452032-7	HAND GUARD	1	PC.
111			810449-4	CAUTION LABEL	1	PC.
112			266627-8	TORX TAPPING SCREW 4.7X16	1	PC.
113			267066-5	FLAT WASHER 5	1	PC.
114			313212-9	HAND GUARD GUIDE	1	PC.
115			234210-9	COMPRESSION SPRING 6	1	PC.
116			231868-5	TENSION SPRING 10	1	PC.
117			163500-2	LINK PLATE COMPLETE	1	PC.
118			325947-0	BUSH 6	2	PC.
119			346299-6	SPACER SHEET METAL	1	PC.
120			961011-9	STOP RING E-4	1	PC.
121			452033-5	BRAKE COVER	1	PC.
122			266421-8	TAPPING SCREW 3X10	2	PC.
123			452035-1	PUMP DRIVE	1	PC.
124			168645-1	OIL SUCTION LINE COMPLETE	1	PC.
		INC.		Item No. 125,126		PC.
125			234207-8	COMPRESSION SPRING 6	1	PC.
126			452666-6	NIPPLE	1	PC.
127			424342-2	OIL PRESSURE LINE	1	PC.
128	1		168503-1	* OIL PUMP COMPLETE	1	PC.
		INC.		* Item No. 129		PC.
	2		161346-0	* OIL PUMP COMPLETE	1	PC.
		INC.		* Item No. 129		PC.
130			266627-8	TORX TAPPING SCREW 4.7X16	1	PC.
131			267430-0	FLAT WASHER 10	1	PC.
132			267431-8	FLAT WASHER 10	1	PC.
133			168607-9	CLUTCH COMPLETE	1	PC.
		INC.		Item No. 134		PC.
134			231873-2	TENSION SPRING 5	2	PC.
135	1		140980-9	* CLUTCH DRUM ASSEMBLY	1	PC.
	2		140484-1	* CLUTCH DRUM ASSEMBLY	1	PC.
	3		140A30-6	* CLUTCH DRUM ASSEMBLY	1	PC.
136	1		267451-2	* FLAT WASHER 8	1	PC.
	2		267833-8	* CUP WASHER 8	1	PC.

Item No.	Type	Sub	Part No.	Description	Qty	Unit
137			259033-4	RETAINING RING E TYPE 6	1	PC.
138			346298-8	BRAKE BAND	1	PC.
139			140482-5	ENGINE HOUSING COMPLETE TLC, BLUE	1	PC.
139B			140481-7	ENGINE HOUSING COMPLETE TLC, ORANGE	1	PC.
141			195955-3	REWIND SPRING SET	1	PC.
151	1		140510-6	* SPROCKET GUARD TLC COMPLETE, BLUE	1	PC.
		INC.		* Item No. 152-158,161-168		
	2		142783-7	* SPROCKET GUARD TLC COMPLETE, BLUE	1	PC.
		INC.		* Item No. 152-158,160-168, 218		
151B			142782-9	SPROCKET GUARD TLC COMPLETE, ORANGE	1	
		INC.		Item No. 152-158,160-168,218		
152			266007-8	TAPPING SCREW BIND PT 3X10	1	PC.
153			346309-9	GUIDE PLATE	1	PC.
154			266007-8	TAPPING SCREW BIND PT 3X10	1	PC.
155			417403-5	COVER	1	PC.
156			324068-5	ADJUST PIN	1	PC.
157			226681-4	HELICAL GEAR 17	1	PC.
158			226534-7	HELICAL GEAR 8	1	PC.
159			346518-0	GUIDE PLATE	1	PC.
160			892502-8	INDICATION LABEL	1	PC.
161			233033-2	COMPRESSION SPRING 4	1	PC.
162			216008-6	STEEL BALL 4	1	PC.
163			419233-0	DIAL 40	1	PC.
164			253874-0	FLAT WASHER 4	1	PC.
165			915106-0	BINDING HEAD SCREW M4X8	1	PC.
166	1		264042-0	* HEX. NUT M8-13	1	PC.
	2		264099-1	* HEX. NUT M8-13	1	PC.
167			231025-5	COMPRESSION SPRING 8	1	PC.
168			195764-0	WING GRIP SET	1	PC.
170	1		WJ00096166	* SCREW	1	PC.
	3		ZJ00000020	* SCREW, PUMP COVER	1	PC.
171	1		WJ00213750	* COVER ASSEMBLY-PUMP	1	PC.
	3		ZJ00000004	* COVER KIT, PUMP	1	PC.
172			WJ00096369	* SCREW-IDLE ADJ. - N/L/A	1	PC.
173			WJ00098356	* SPRING - N/L/A	1	PC.
174	1		WJ00096475	* SCREW	1	PC.
	3		ZJ00000023	* SCREW	1	PC.
175	1		WJ00183519	* LEVER-CHOKE	1	PC.
	3		ZJ00000025	* LEVER, CHOKE	1	PC.
176	1		WJ00983585	* SPRING	1	PC.
	3		ZJ00000040	* SPRING, RETURN	1	PC.
177	1		WJ00223556	* SHAFT ASSEMBLY-THROTTLE	1	PC.
	3		ZJ00000015	* THROTTLE SHAFT ASSY	1	PC.
178	1		WJ00098494	* SPRING	1	PC.
	3		ZJ00000034	* SPRING, THROTTLE RETURN	1	PC.
179	1		WJ01023908	* NEEDLE-IDLE	1	PC.
	3		ZJ00000026	* SCREW, IDLE MIXTURE	1	PC.
181			WJ00098404	* SPRING - N/L/A	2	PC.
182			WJ00136152	* WASHER - N/L/A	2	PC.
183			WJ00016105	* RING-O - N/L/A	2	PC.
184	1		WJ00062150	* VALVE-CHOKE	1	PC.
	3		ZJ00000024	* VALVE, CHOKE	1	PC.
185	1		WJ00983270	* SPRING	1	PC.
	3		ZJ00000010	* SPRING	1	PC.
186	1		WJ00166114	* LEVER-METERING	1	PC.
	3		ZJ00000006	* LEVER	1	PC.
187	1		WJ00014477	* PIN-METERING LEVER	1	PC.
	3		ZJ00000008	* PIN	1	PC.

Item No.	Type	Sub	Part No.	Description	Qty	Unit
188	1		WJ00008282	* VALVE-INLET NEEDLE	1	PC.
	3		ZJ00000007	* VALVE, INLET NEEDLE	1	PC.
189	1		WJ00963226	* SCREW	1	PC.
	3		ZJ00000009	* SCREW (METERING LEVER PIN)	1	PC.
190			WJ00088271	* PLUG-WELCH - N/L/A	1	PC.
191	1		WJ00021158	* COVER-METERING DIAPHRAGM	1	PC.
	3		ZJ00000028	* COVER, METERING	1	PC.
192	1		WJ00095613	* DIAPHRAGM ASSEMBLY-METERING	1	PC.
	3		ZJ00000013	* DIAPHRAGM ASSEMBLY,METERING	1	PC.
193	1		WJ00092192	* GASKET-METERING DIAPHRAGM	1	PC.
	2		442183-4	* GASKET-METERING DIAPHRAGM	1	PC.
	4		ZJ00000011	* GASKET, METERING CHAMBER	1	PC.
194	1		WJ00223784	* SHAFT ASSEMBLY-CHOKE	1	PC.
	3		ZJ00000012	* SHAFT ASS'Y, CHOKE	1	PC.
195	1		WJ00013690	* WASHER	1	PC.
	3		ZJ00000033	* WASHER	1	PC.
196	1		WJ00016682	* LEVER-FAST IDLE	1	PC.
	3		ZJ00000031	* LEVER, CHOKE	1	PC.
197	1		WJ00983584	* SPRING	1	PC.
	3		ZJ00000032	* SPRING, CHOKE RETURN	1	PC.
198	1		WJ00001673	* RING-RETAINING	1	PC.
	3		ZJ00000017	* E-RING	1	PC.
199	1		WJ00183366	* LEVER-THROTTLE	1	PC.
	3		ZJ00000022	* LEVER, THROTTLE	1	PC.
200	1		WJ00983164	* SPRING	1	PC.
	3		ZJ00000019	* SPRING	1	PC.
	4		ZJ00000073	SPRING	1	PC.
201	1		WJ00160511	* PISTON ASSMBLY-ACCELERATOR	1	PC.
	3		ZJ00000005	* PLUNGER KIT	1	PC.
202	1		WJ00088229	* PLUG-CUP	1	PC.
	3		ZJ00000036	* PLUG, ACC POCKET	1	PC.
203	1		WJ00014070	* INLET SCREEN	1	PC.
	3		ZJ00000003	* STRAINER	1	PC.
204	1		WJ00343439	* VALVE-THROTTLE	1	PC.
	3		ZJ00000030	* VALVE, THROTTLE	1	PC.
205	1		WJ00009589	* DIAPHRAGM-PUMP	1	PC.
	3		ZJ00000029	* DIAPHRAGM, PUMP	1	PC.
206	1		WJ00092225	* GASKET-PUMP	1	PC.
	3		ZJ00000016	* GASKET, PUMP	1	PC.
207	1		WJ00096589	* SCREW ASSEMBLY	4	PC.
	3		ZJ00000014	* SCREW (WITH SERRATION)	2	PC.
208	1		WJ00096475	* SCREW	1	PC.
	2		ZJ00000001	* SCREW	1	PC.
209	1		WJ00096475	* SCREW	1	PC.
	3		ZJ00000023	* SCREW	1	PC.
210	1		WJ00096475	* SCREW	1	PC.
	2		ZJ00000001	* SCREW	1	PC.
211			WJ00001673	RING-RETAINING - N/L/A	1	PC.
212			424519-9	HOOD CAP (Added)	1	PC.
213	2		ZJ00000002	* BODY, ASS'Y - N/A individually	1	PC.
214	2		ZJ00000018	* NOZZLE ASS'Y, CHOKE VALVE (Added)	1	PC.
215	2		ZJ00000021	* COLLAR (Added)	1	PC.
216	2		ZJ00000035	* RETAINER (Added)	2	PC.
217	2		ZJ00000037	* STRAINER (Added)	1	PC.
218			267858-2	* LOCK WASHER 8 (Added)	1	PC.
C01	1		872115-1	CARTON F/EA3201S40B	1	PC.
	2		877658-8	CARTON F/EA3201S40B	1	PC.

Item No.	Type	Sub	Part No.	Description	Qty	Unit
<u>ACCESSORIES</u>						
<i>- See Catalogue or visit www.makita.ca for more accessories information -</i>						
A01			165202-6	* GUIDE BAR 16", 3/8", .050"	1	PC.
A02			419560-5	CHAIN COVER 16", 3/8"	1	PC.
A03		1	528 092 656	SAW CHAIN 16", 3/8", .050"	1	PC.
		2	531 492 656	3/8" LOW KICKBACK SAFETY CHAIN 50G 16"	1	PC.
		3	196444-1	3/8" LOW KICKBACK SAFETY CHAIN 50G 16"	1	PC.
		Opt.	T-01600	3/8" PROFESSIONAL CHAIN 50G 16"	1	PC.
A04			782026-1	UNIVERSAL WRENCH 13/16	1	PC.
A05			783012-5	SCREWDRIVER	1	PC.
A06			0650109950	SPARK PLUG, CMR6A	1	PC.
A07			444038-9	STARTER ROPE	1	PC.
A08			346301-5	SPIKE BAR	1	PC.

SERVICE CHANGES

1. Changes on Cylinder Piston Set

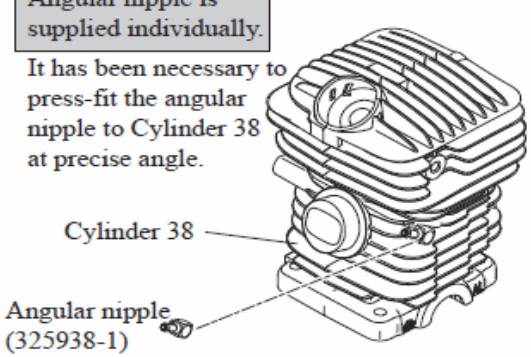
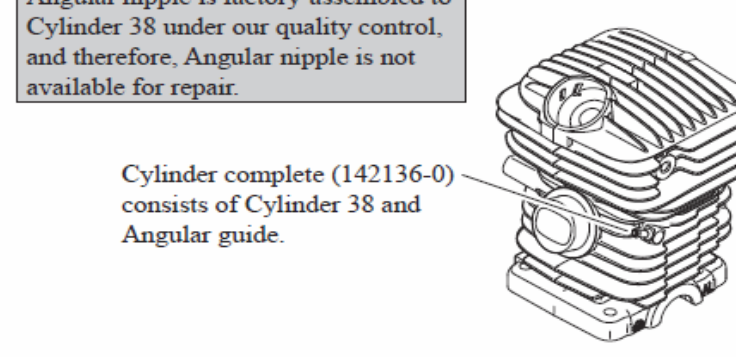
(TI#98018)

Item No.	Description	Type 1	Type 2
56	Cylinder Piston Set	195759-3	196384-3
56a	INC. Cylinder 38>Cylinder Complete	No Part number	142136-0
47	Angular Nipple	325938-1	INC.
57	INC. PISTON SET		195760-8

Above parts are completely interchangeable as a set.

Type 1

Type 2

<p>Cylinder piston set (195759-3) consists of Piston set (195760-8) and Cylinder 38.</p> <div style="border: 1px solid black; padding: 5px; margin: 5px 0;"> <p>Angular nipple is supplied individually.</p> <p>It has been necessary to press-fit the angular nipple to Cylinder 38 at precise angle.</p> </div>  <p>Cylinder 38</p> <p>Angular nipple (325938-1)</p>	<p>Cylinder piston set (196384-3) consists of Piston set (195760-8) and Cylinder complete (142136-0).</p> <div style="border: 1px solid black; padding: 5px; margin: 5px 0;"> <p>Angular nipple is factory-assembled to Cylinder 38 under our quality control, and therefore, Angular nipple is not available for repair.</p> </div>  <p>Cylinder complete (142136-0) consists of Cylinder 38 and Angular guide.</p>
--	---

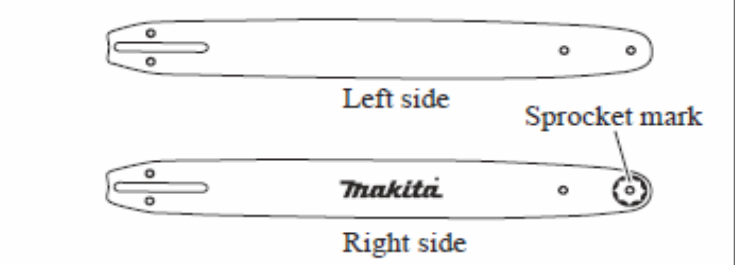

2. Change on Guide Bar

(TI#97722)

Item No.	Description	Type 1	Type 2
A1	Guide Bar "16		165202-6

Type 1

Type 2

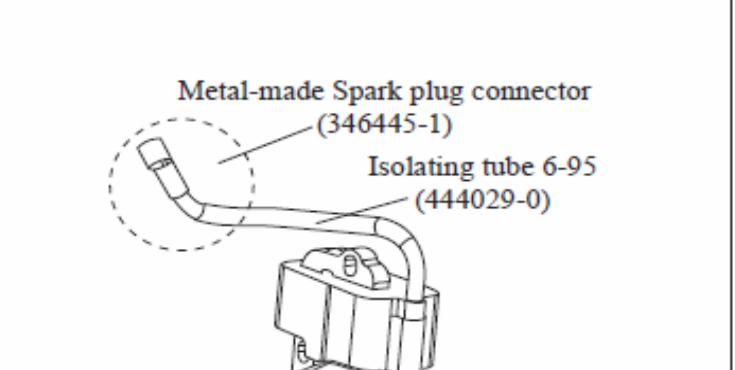
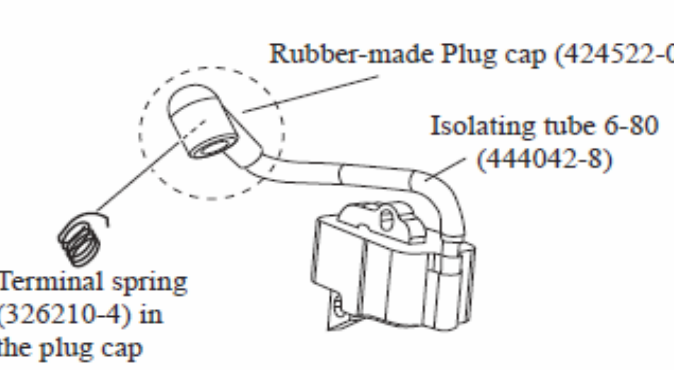
 <p>Left side</p> <p>Right side</p> <p>Sprocket mark</p> <p><i>Makita</i></p> <p>(Makita logo and Sprocket mark are on the right side only.)</p>	 <p>Left side</p> <p>Right side</p> <p>Sprocket mark</p> <p><i>Makita</i></p>
---	---

3. Changes on Ignition Section

(TI#97296)

Item No.	Description	Type 1	Type 2
91	Ignition Coil Assembly	125808-2	126270-4
	INC. Terminal Spring	-----	324210-4
88	Spark Plug Connector > Plug Cap	346445-1	424522-0
87	Isolating tube 6-95 > 6-80	444029-0	444042-8

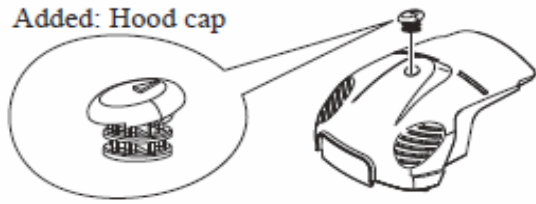
Above parts are completely interchangeable as a set.

 <p>Metal-made Spark plug connector (346445-1)</p> <p>Isolating tube 6-95 (444029-0)</p>	 <p>Rubber-made Plug cap (424522-0)</p> <p>Isolating tube 6-80 (444042-8)</p> <p>Terminal spring (326210-4) in the plug cap</p>
---	---

4. Add Hood Cap on Hood

(TI#97296)

Item No.	Description	Type 1	Type 2
212	Hood Cap	-----	424519-9



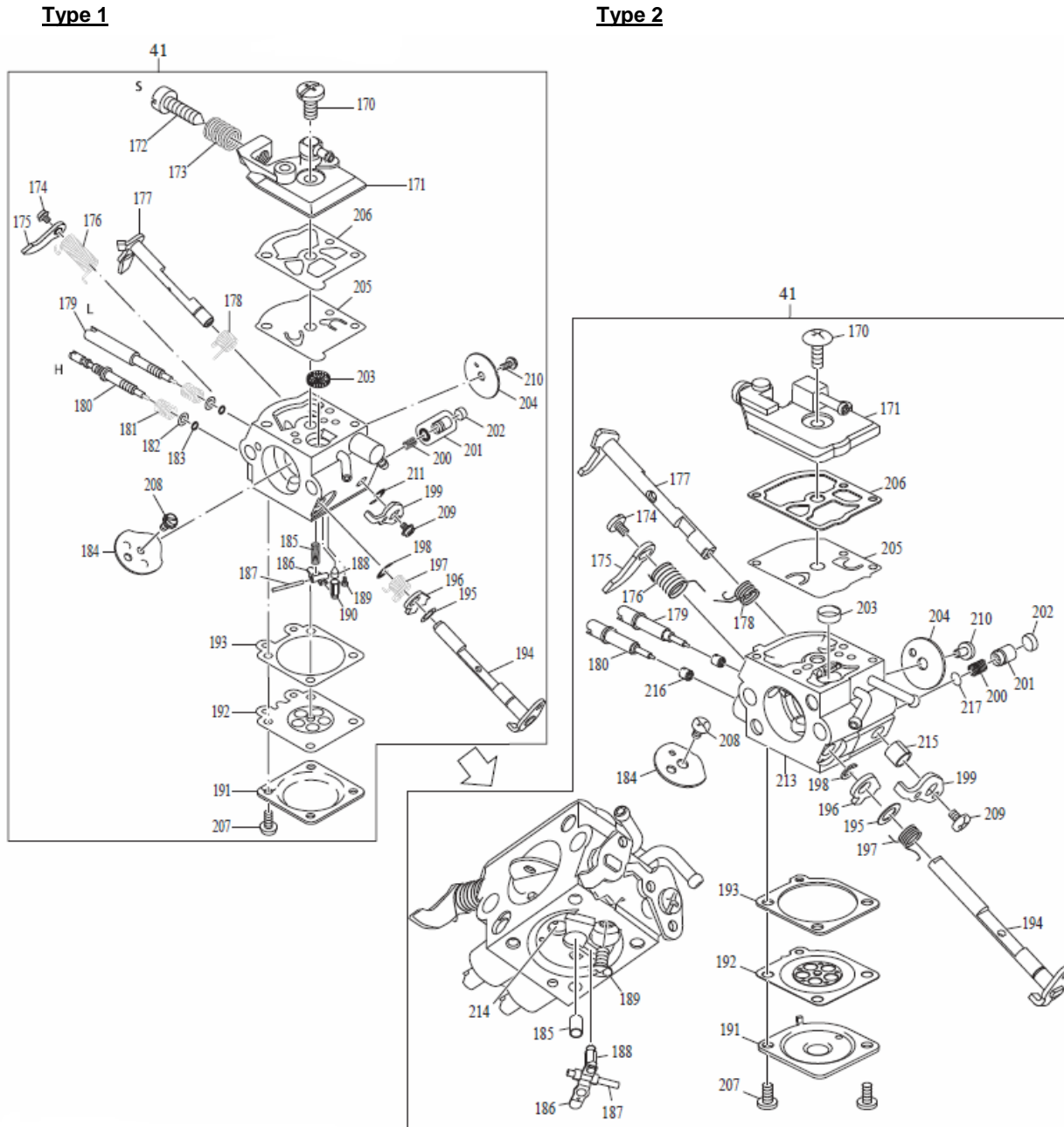
***Not carry PN in grey

(TI#A1874) (TI#Y06848)

5. Change on Carburetors

Item No.	Description (Type 1)	Type 1	Description (Type 2)	Type 2	Type 3
41	Carburetor Inc. No. 170-179, 181-211	168779-0	Carburetor Inc. No. 170,171,174-179,184-189,191-210,213-217	168849-5	168849-5
- Parts below are completely interchangeable as a set -					
71	Plug	452727-2	-----	-----	-----
170	Screw	WJ00096166	Screw, Pump Cover	ZJ17004010	ZJ00000020
171	Cover Assembly-Pump	WJ00213750	Cover Kit, Pump	ZJ0K017704	ZJ00000004
172	Scew-Idle Adj.	WJ00096369	-----	-----	-----
173	Spring	WJ00098356	-----	-----	-----
174	Screw	WJ00096475	Screw	ZJ17103004	ZJ00000023
175	Lever-Choke	WJ00183519	Lever, Choke	ZJ00042706	ZJ00000025
176	Spring	WJ00983585	Spring, Return	ZJ00013113	ZJ00000040
177	Shaft Assembly-Throttle	WJ00223556	Shaft Ass'y, Throttle	ZJ0A011716	ZJ00000015
178	Spring	WJ00098494	Spring, Throttle Return	ZJ00013039	ZJ00000034
179	Needle-Idle	WJ01023908	Screw, Idle Mixture	ZJ00031706	ZJ00000026
181	Spring	WJ00098404	-----	-----	-----
182	Washer	WJ00136152	-----	-----	-----
183	O Ring	WJ00016105	-----	-----	-----
184	Valve-Choke	WJ00062150	Valve, Choke	ZJ00043701	ZJ00000024
185	Spring	WJ00983270	Spring	ZJ00019009	ZJ00000010
186	Lever	WJ00166114	Lever	ZJ00020012	ZJ00000006
187	Pin-Metering Lever	WJ00014477	Pin	ZJ00021001	ZJ00000008
188	Valve-Inlet Needle	WJ00008282	Valve, Inlet Needle	ZJ00018004	ZJ00000007
189	Screw	WJ00963226	Screw	ZJ14803006	ZJ00000009
190	Plug-Welch	WJ00088271	-----	-----	-----
191	Cover-Metering Diaphragm	WJ00021158	Cover, Metering	ZJ00028704	ZJ00000028
192	Diaphragm Assembly-Metering	WJ00095613	Diaphragm Assembly,Metering	ZJ0A015049	ZJ00000013
193	Metering Diaphragm Gasket	442183-4	Gasket, Metering Chamber	ZJ00016019	ZJ00000011
194	Shaft Assembly-Choke	WJ00223784	Shaft ass'y, choke	ZJ0A041704	ZJ00000012
195	Washer	WJ00013690	Washer	ZJ00026037	ZJ00000033
196	Lever-Fast Idle	WJ00016682	Lever, Choke	ZJ00042703	ZJ00000031
197	Spring	WJ00983584	Spring, Choke Return	ZJ00013149	ZJ00000032
198	Ring-Retaining	WJ00001673	E-Ring	ZJ19510040	ZJ00000017
199	Lever-Throttle	WJ00183366	Lever, Throttle	ZJ00012705	ZJ00000022
200	Spring	WJ00983164	Spring	ZJ00054057	ZJ00000019
201	Piston Assmby-Accelerator	WJ00160511	Plunger Kit	ZJ0K053049	ZJ00000005
202	Plug-Cup	WJ00088229	Plug, Acc Pocket	ZJ00005048	ZJ00000036
203	Inlet Screen	WJ00014070	Strainer	ZJ00004011	ZJ00000003
204	Valve-Throttle	WJ00343439	Valve, Throttle	ZJ00014040	ZJ00000030
205	Diaphragm-Pump	WJ00009589	Diaphragm, Pump	ZJ00015050	ZJ00000029
206	Gasket-Pump	WJ00092225	Gasket, Pump	ZJ00016033	ZJ00000016
207	Screw Assembly	WJ00096589	Screw (With Serration)	ZJ17203006	ZJ00000014
208	Screw	WJ00096475	Screw	ZJ00000001	ZJ00000001
209	Screw	WJ00096475	Screw	ZJ17103004	ZJ00000023
210	Screw	WJ00096475	Screw	ZJ00000001	ZJ00000001
211	Ring-Retaining	WJ00001673	-----	-----	-----
213	-----	-----	Body, Ass'y	ZJ0A001727	ZJ00000002
214	-----	-----	Nozzle Ass'y, Choke Valve	ZJ0A007710	ZJ00000018
215	-----	-----	Collar	ZJ00052019	ZJ00000021
216	-----	-----	Retainer	ZJ00009030	ZJ00000035
217	-----	-----	Strainer	ZJ00004002	ZJ00000037

See next page for Figures



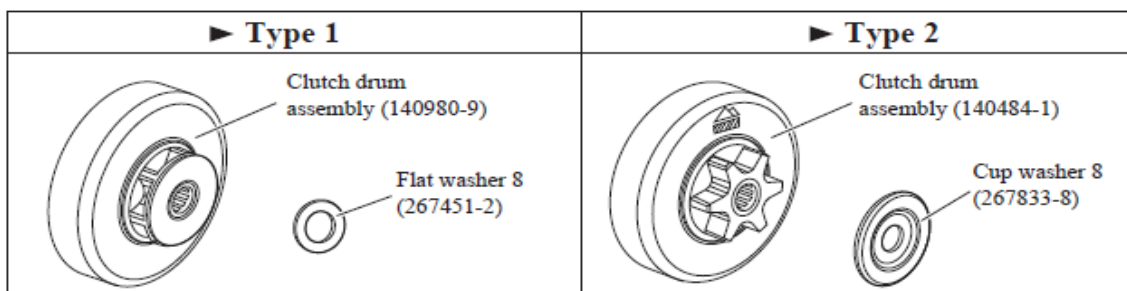
6. Change on Clutch Drum Assy

(T/#A7152)

(T/# B9889)

Item No.	Description	Type 1	Type 2	Type 3
135	Clutch Drum Assembly	140980-9	140484-1	140A30-6
136	Flat Washer 8> Cup Washer 8	267451-2	267833-8	

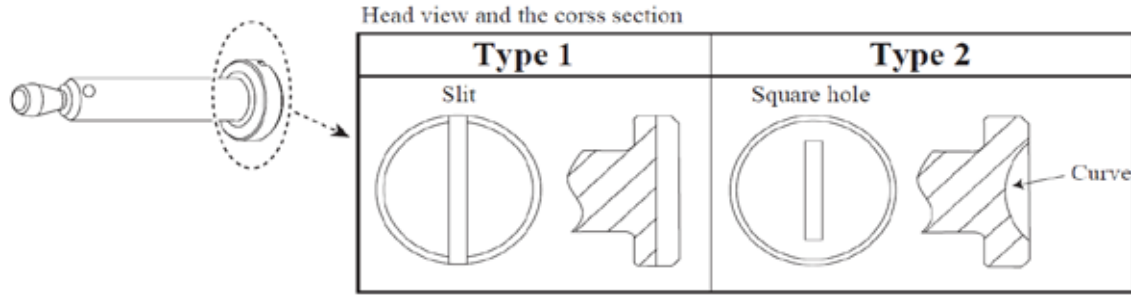
Above parts are completely interchangeable as a set.



7. Change on Oil Pump Complete

(TI#A6716)

Item No.	Description	Type 1	Type 2
128	Oil Pump Complete	168503-1	161346-0



8. Change on Chain Cover

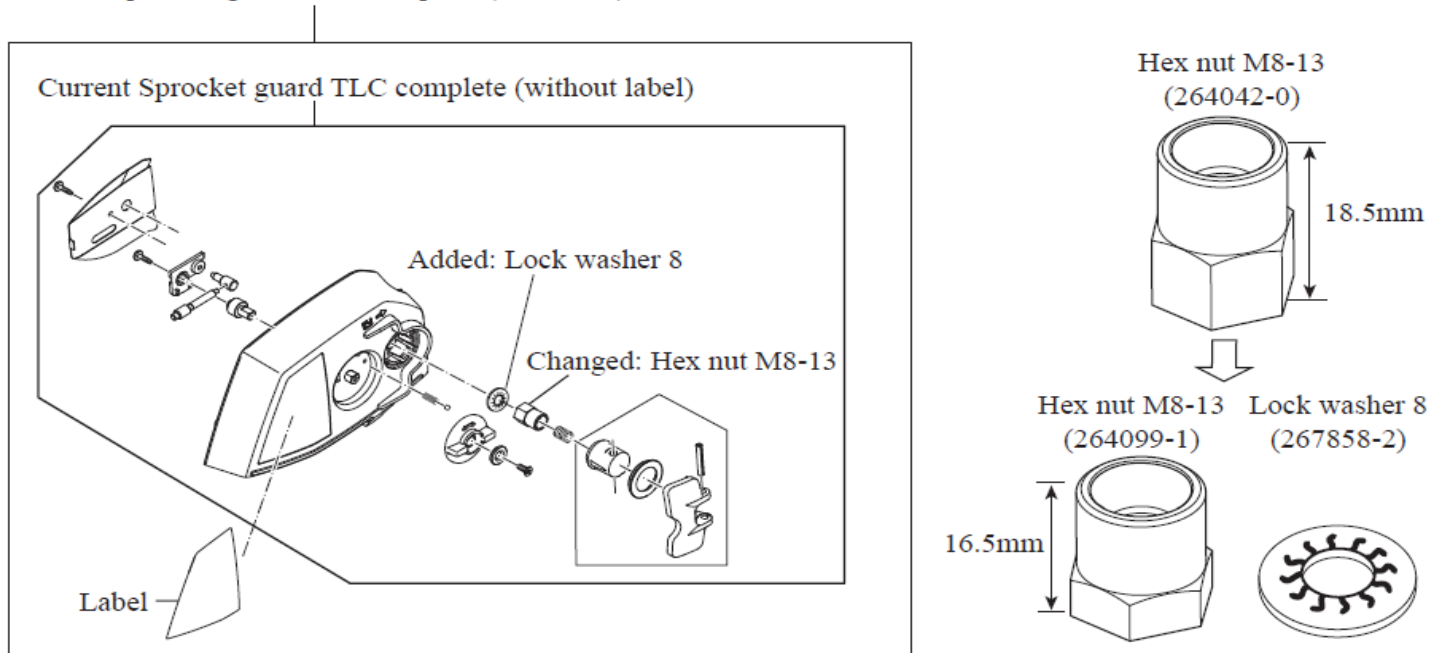
(TI#A8749)

Item No.	Description	Type 1	Type 2
151	Sprocket Guard TLC Complete	140510-6	142783-7
INC.		No. 152-158, 161-168	152-158, 160-168, 218

166	Hex Nut M8-13	264042-0	264099-1
218	Lock Washer 8	-----	267858-2

Above two parts are completely interchangeable as a set.

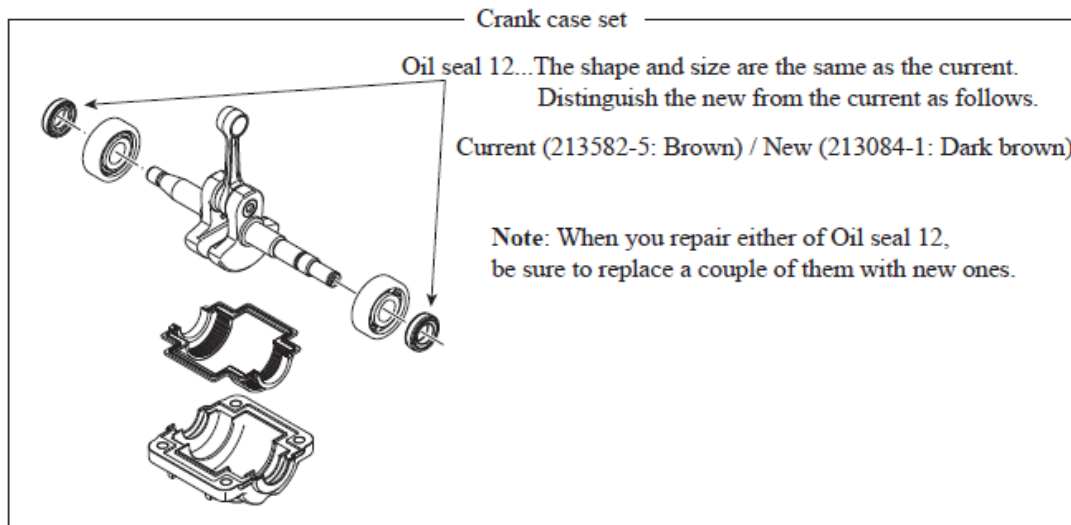
New Sprocket guard TLC complete (with label)



9. Change on Clutch Drum Assy

(TI#A9612)

Item No.	Description	Type 1	Type 2
61, 66	Oil Seal 12	213582-5	213084-1
64	Crank Shaft Set	195956-1 (Inc. #213582-5)	197539-3 (Inc.#213084-1)



10. Change on Clutch Drum Assy

(TI#A6201)

Item No.	Description	Type 1	Type 2
96	Piston Pin 8	168608-7 (Inc. #45378)	161328-2 (Inc. #455919-2)
101	Ball Bearing 6201	453785-1	455919-2

